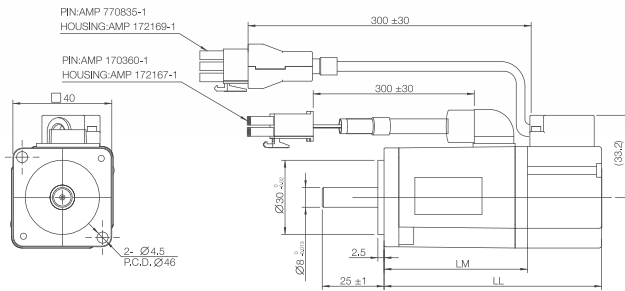


电机尺寸图

TSE04



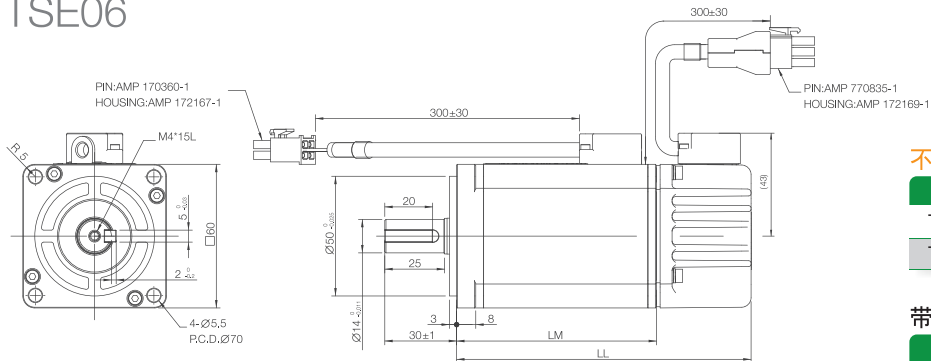
不带煞车

Model	LL	LM
TSE04101C	86	56

带煞车

Model	LL	LM
TSE04101C	129.6	93.8

TSE06



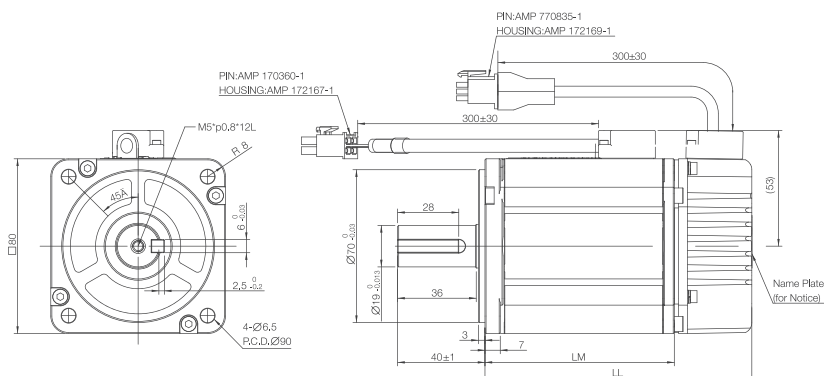
不带煞车

Model	LL	LM
TSE06201C	106.5	67
TSE06401C	128.5	89

带煞车

Model	LL	LM
TSE06201C	145.3	105.8
TSE06401C	167.3	127.8

TSE08



不带煞车

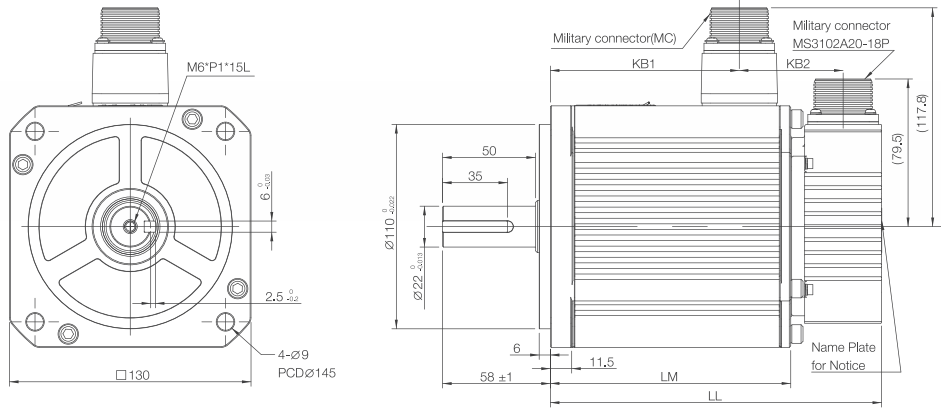
Model	LL	LM
TSE08751C	137	101.5

带煞车

Model	LL	LM
TSE08751C	175.3	139.8

电机尺寸图

TSE13



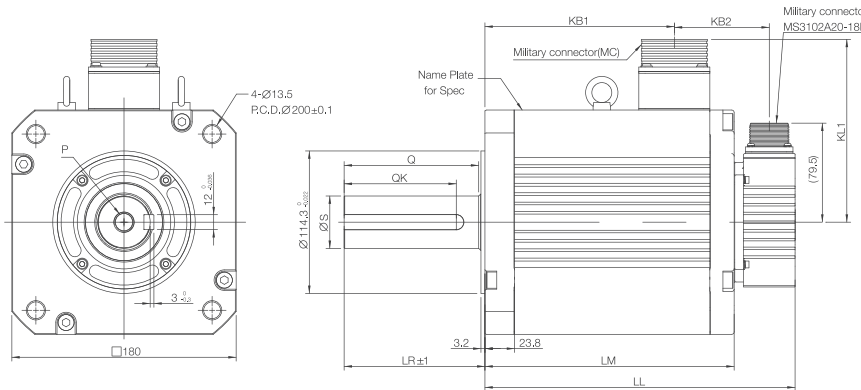
不带煞车

Model	LL	LM	KB1	KB2
TSE13851H	153.3	104.4	76.7	55.9
TSE13132H	178.3	129.4	101.7	55.9
TSE13182H	203.3	154.4	126.7	55.9

带煞车

Model	LL	LM	KB1	KB2
TSE13851H	195.9	147	76.7	98.5
TSE13132H	220.9	172	101.7	98.5
TSE13182H	245.9	197	126.7	98.5

TSE18



不带煞车

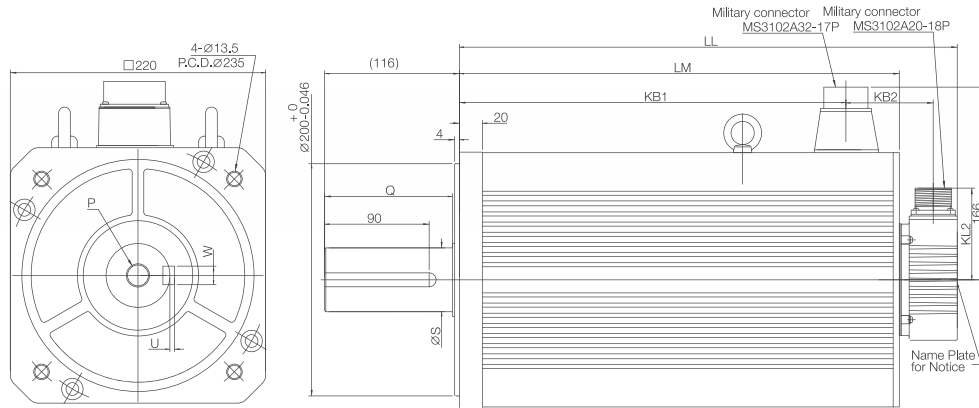
Model	LL	LM	LR	KB1	KB2	KL1	QK	Q	S	P	MC
TSE18182H	178.4	230.6	129.5	181.7	79	87.6	73.1	141.9	60	M12*24L	MS3102A22-22P
TSE18292H	200.4	252.6	151.5	203.7	79	109.6	73.1	141.9	60	M12*24L	MS3102A22-22P
TSE18442H	232.4	284.6	183.5	235.7	79	135.5	79.2	147.3	60	M12*24L	MS3102A32-17P
TSE18552H	268.4	320.6	219.5	271.7	113	171.5	79.2	147.3	90	M16*32L	MS3102A32-17P
TSE18752H	342.4	394.6	293.5	345.7	113	245.5	79.2	147.3	90	M16*32L	MS3102A32-17P

带煞车

Model	LL	LL	LM	LM	LR	KB1	KB2	KL1	QK	Q	S	P	MC
TSE18182H	178.4	230.6	129.5	181.7	79	87.6	122.3	141.9	60	74	35H6	M12*24L	MS3102A22-22P
TSE18292H	200.4	252.6	151.5	203.7	79	109.6	122.3	141.9	60	74	35H6	M12*24L	MS3102A22-22P
TSE18442H	232.4	284.6	183.5	235.7	79	135.5	128.4	147.3	60	74	35H6	M12*24L	MS3102A32-17P
TSE18552H	268.4	320.6	219.5	271.7	113	171.5	128.4	147.3	90	108	42H6	M16*32L	MS3102A32-17P
TSE18752H	342.4	394.6	293.5	345.7	113	245.5	128.4	147.3	90	108	42H6	M16*32L	MS3102A32-17P

电机尺寸图

TSE22



不带煞车

Model	LL	LM	KB1	KB2	KL2	Q	S	P	W	U
TSE22113H	343	302	256	67	100	108	42H6	M16*32L	12	3
TSE22153H	428.9	379	332.75	74.95	79	110	55H6	M20*40L	16	4