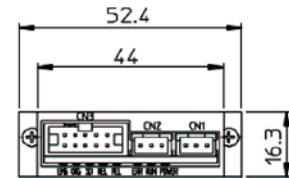
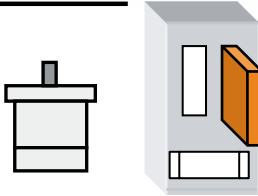


▶ Servo control board

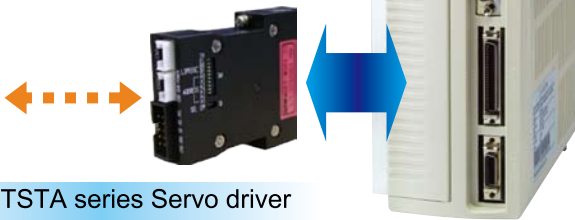
Motionnet®

■ Servo control board

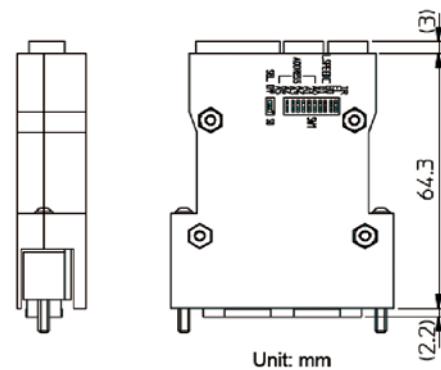
MOTION



MNET-M381-TST



For TED TSTA series Servo driver



Unit: mm

*** Smaller than a business card size (W52.4*D16.3*H69.5mm)

Feature

- Connects direct to the I/O signal connector of the three drivers series mentioned above
- Space-saving
- Wiring-time-saving

Axis Control Specification

- Maximum pulse output frequency : 6.5Mpps
- Mechanical position counter : 28 bit
- Acceleration / deceleration characteristics : Linear and S-curve (Selectable acceleration/deceleration pattern separately)
- Positioning control range : ±134,217,728 (28-bit)
- Home position mode : 13 kind

I/O Specification

- Driver related I/O : Encoder A, B and Z phases /ALM/INP/SVRDY/SVON/ALMRES/ Clear deflection counter
- Mechanical related I/O : ORG/SD or Comparator/±EL/EMG
- Power source DC24V

