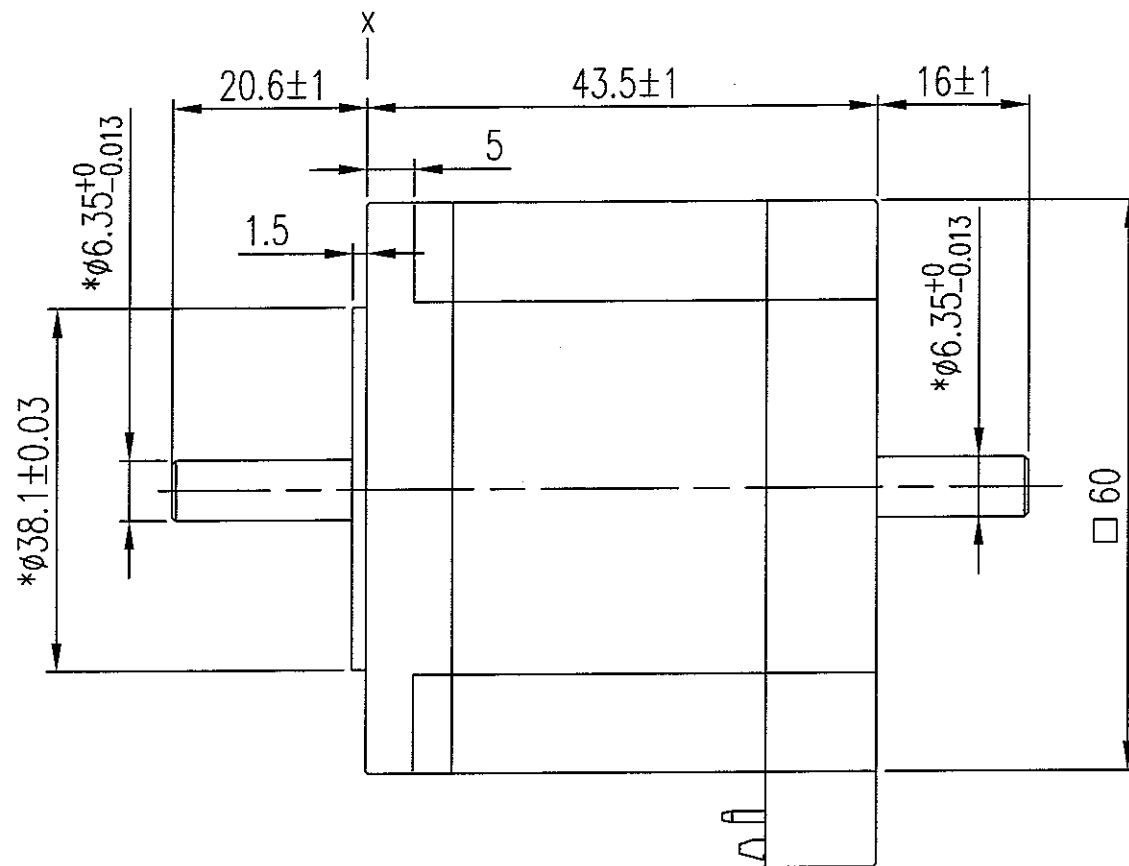
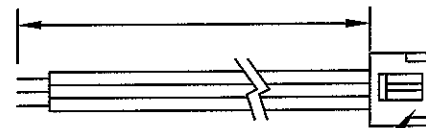


4- $\phi 4.5$  HOLE



UL3266 AWG 22 305+25



(JST:VHR-6N OR EQUIVALENT)