



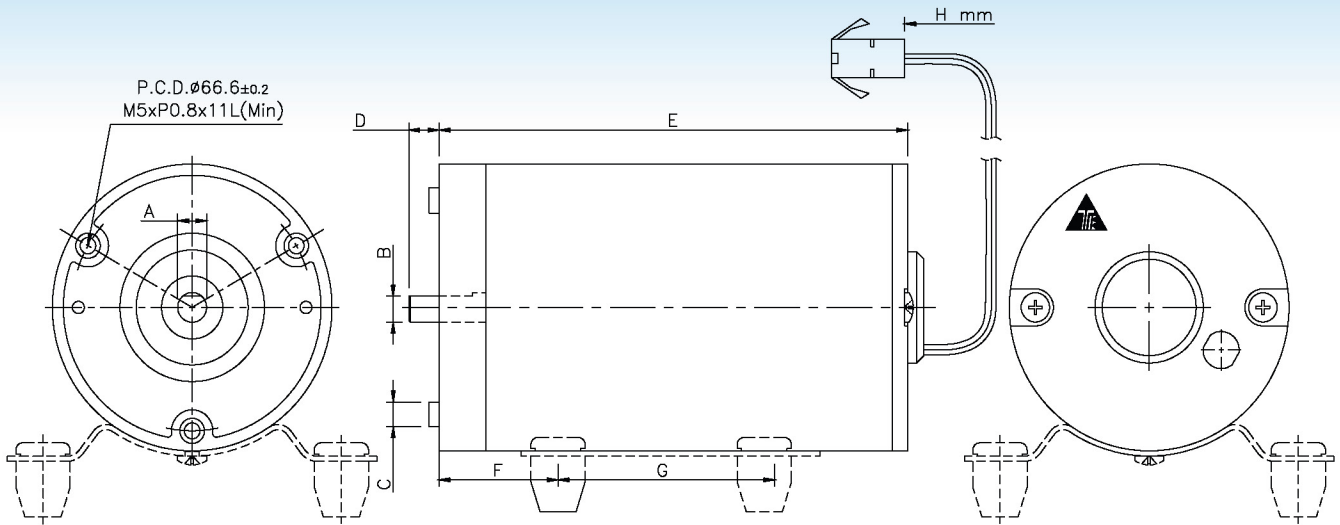
## REVERSE OUTLET FILTER SERIES

### SPECIFICATION

Model		PM077112(VDC)		PM077112(VAC)	
		01	02	01	02
Rated Voltage (V)		24VDC	36VDC	24VAC	36VAC
No Load Current (A)		0.11 Max.	0.11 Max.	0.18	0.18
No Load Speed (rpm)		640	640	825	825
Rated Point	Torque (kg-cm)	2.0	2.0	2.0	2.0
	Current (A)	0.65	0.62	1.0	1.0
	Speed (rpm)	510	670	470	700
	Power (W)	10	14	10	14
Max. Output Power	Torque (kg-cm)	5.4	7.5	4.5	6.2
	Current (A)	1.6	1.9	1.7	2.2
	Speed (rpm)	310	390	300	420
	Power (W)	17	30	14	27
Loaded at 70 pounds	Current (A)	0.6	0.56	1.0	1.0
	Water Flow	0.6LPM Min.	0.6LPM Min.	19GPH Min.	19GPH Min.
Noise		60dB / (Background 45dB )			
Insulation Classification		F Class (150°C )			
Operating Temperature		-10~40°C			
Weight (kg)		1.94 / 2.14 (Includes the foot seat)	1.94 / 2.14 (Includes the foot seat)	1.98 / 2.18 (Includes the foot seat)	1.98 / 2.18 (Includes the foot seat)

● To customize motors, please contact with us or our agent.

**DIMENSION**

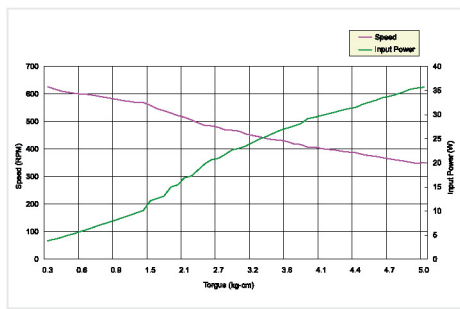


DIM.	PM077112VDC/VAC	PM077112VDC/VAC
A	$\phi 7.99^{+0.005}_{-0.005}$	$\phi 7.99^{+0.005}_{-0.005}$
B	$7^{+0}_{-0.05}$	$7^{+0}_{-0.05}$
C	$\phi 6.6^{+0}_{-0.1}$	$\phi 6.6^{+0}_{-0.1}$
D	$8.4^{+0.3}$	$8.4^{+0.3}$
E	$129.6^{+0.3}$	$129.6^{+0.3}$
F	30.6	X
G	57	
H	250	

● To customize motors, please contact with us or our agent.

**PERFORMANCE CURVE**

PM077112VDC-01



PM077112VAC-01

